

An entire Harley-Davidson world from TRW



1 INCH (25.4 MM) STEEL HANDLEBARS

In many colors and designs with General Certification. Also available with cable hole or cable notch.



RACING CLIP-ONS

The best and easiest way to give a Harley the look of a cafe racer.



CLUTCH FRICTION PLATE KITS

Clutch plates and steel intermediate plates for many Harley-Davidson models.



BRAKE PADS

Both protective of discs and effective. Also available in a very heat-resistant performance version as PC pads.



STEEL BRAIDED BRAKE LINES

Optimize the pressure points, are very long-lasting and of course look much better than rubber lines.



SCREWS

We have the right screw sets for a wide range of brake discs – including other makes.

FROM TRW – FOR HARLEY-DAVIDSON

Brake discs • Brake pads • Steel braided brake lines
Clutch components • Steel handlebars and racing clip-ons

ZF AFTERMARKET



If you like Harleys
you will love TRW

70415 EN

ZF Friedrichshafen AG
ZF Aftermarket

Tel. +49 2631 912 0
info.zf-aftermarket@zf.com
trwaftermarket.com

TRW

trwmoto.com

TRW

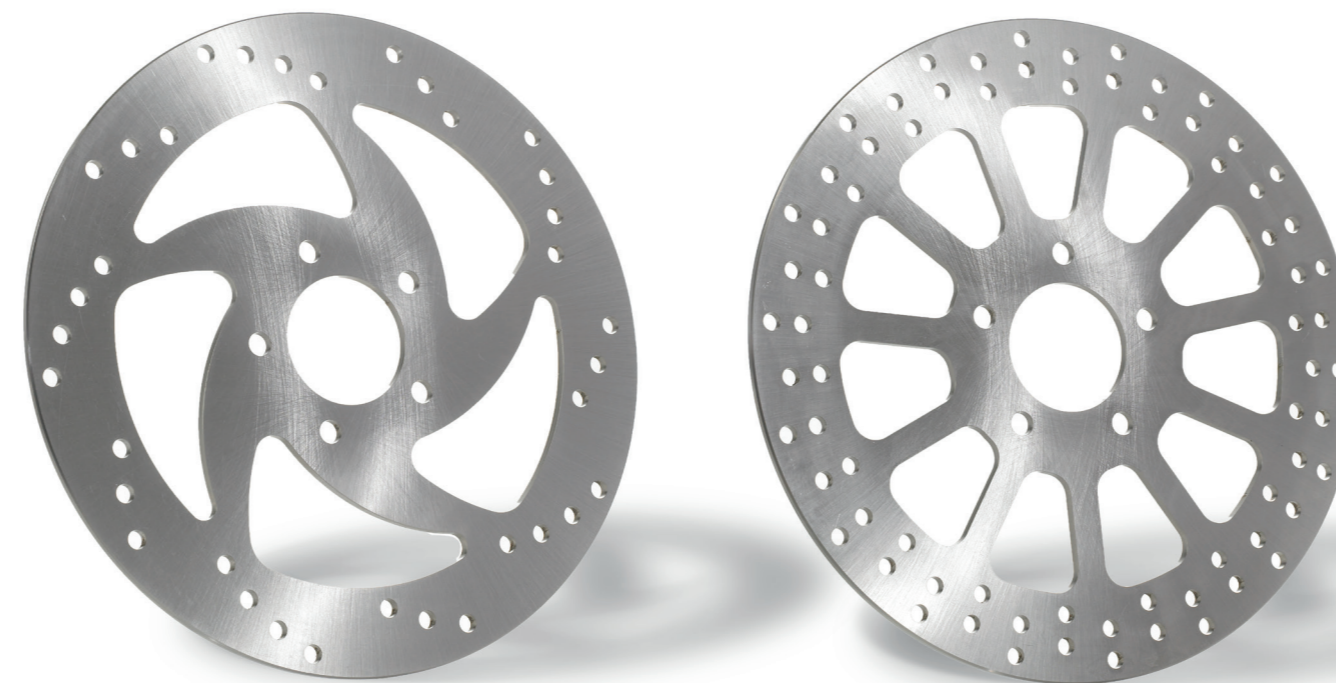
Floating brake discs from TRW Top braking performance for many Harleys

THE PERFECT PERFORMANCE UPGRADE

The simple and safe retrofit solution for models with standard fixed brake discs. Floating TRW brake discs offer better performance and greater comfort through better heat dissipation and an optimized coefficient of friction.

A road test covering over 22,000 km proved it: even at extreme temperatures the floating brake disc from TRW maintains its shape, is low in noise and offers considerably better performance than fixed disc variants.

Floating TRW brake discs for Harley-Davidson come with General Certification and therefore do not require registration.



Fixed brake discs from TRW SWING or SPOKE – the choice is yours!

REPLACEMENT DISCS WITH TOP QUALITY

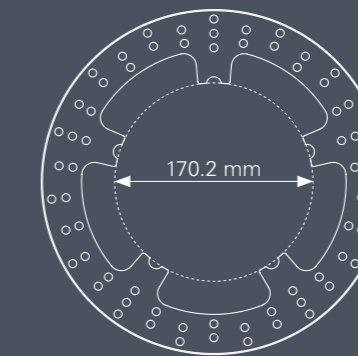
Whether on the left or right, replacement brake discs from TRW for Harley-Davidson make a good impression. And they do a really good job on either side. Perfect circular run-out, high stability and a successful design – what more could you want?

TWO DESIGNS, ONE MISSION

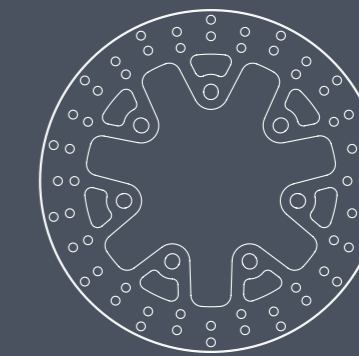
The utmost safety at a fair price. The fixed TRW brake discs for Harley-Davidson all have General Certification and can therefore be simply replaced without registration. Of course, we also optionally offer the right screws for discs with or without counter boreholes.

For your special or customized rims

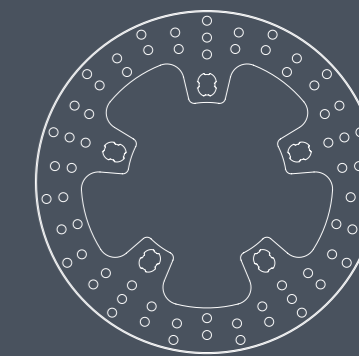
FOR INDIVIDUALISTS WITH SPECIAL OR CUSTOMIZED RIMS WE OFFER THE FOLLOWING DISCS:



For rims with 170.2 mm hole circles:
TRW order number: MST 505



For Chisel and Slicer rims:
TRW order number: MST 508



For Impeller and Enforcer rims:
TRW order number: MST 502

For your Harley-Davidson rims

THE BUYER'S GUIDE MAKES ORDERING YOUR NEW BRAKE DISCS EXTREMELY EASY:

